

INSTALLATION INSTRUCTIONS



Fitzgerald® / Lowell™ Wyatt® / St. George® Pedestal Sinks

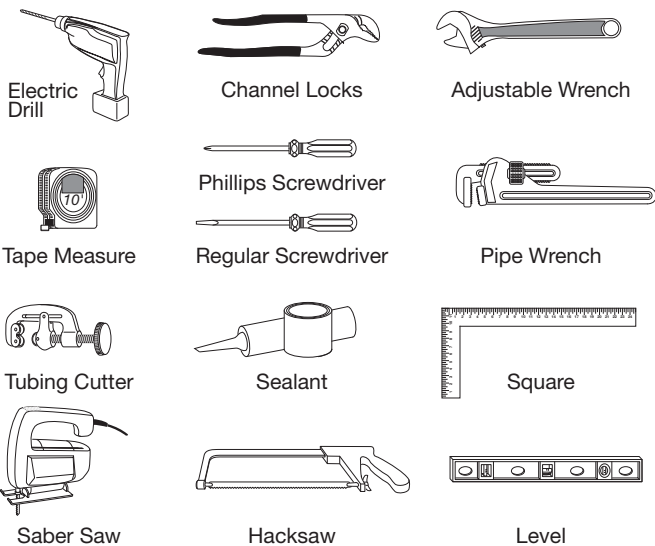
- Fitzgerald 24" with pedestal KIT #D20030
- Fitzgerald 28" with pedestal KIT #D20015
- Lowell with pedestal KIT #D20070
- Wyatt with pedestal KIT #D20010
- St. George with pedestal KIT #D20005

Thank you for selecting DXV. To ensure this product is installed properly, please read these instructions carefully before you begin. (Certain installations may require professional help.) Also be sure your installation conforms to local codes.

⚠ CAUTION: PRODUCT IS FRAGILE. TO AVOID BREAKAGE AND POSSIBLE INJURY HANDLE WITH CARE!
NOTE: Pictures may not exactly define contour of china and components.

RECOMMENDED TOOLS AND MATERIALS

Most of the procedures require the use of common tools and materials, which are available from hardware and plumbing supply stores. It is essential that the tools and materials be on hand before work is begun.

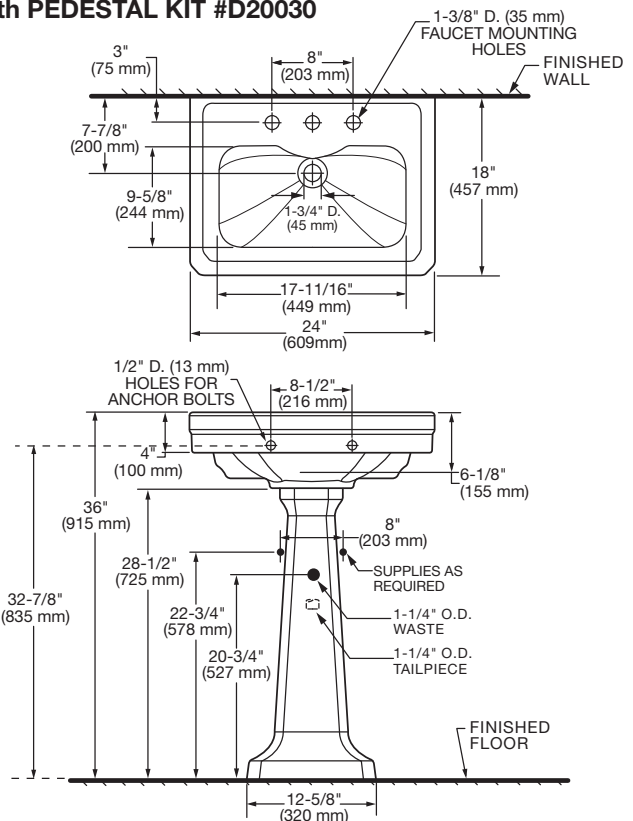


ROUGHING-IN DIMENSIONS:

Dimensioning diagrams are provided for each console.

Note: dimensions are nominal and may vary within the range of manufacturing tolerances.

FITZGERALD 24" with PEDESTAL KIT #D20030



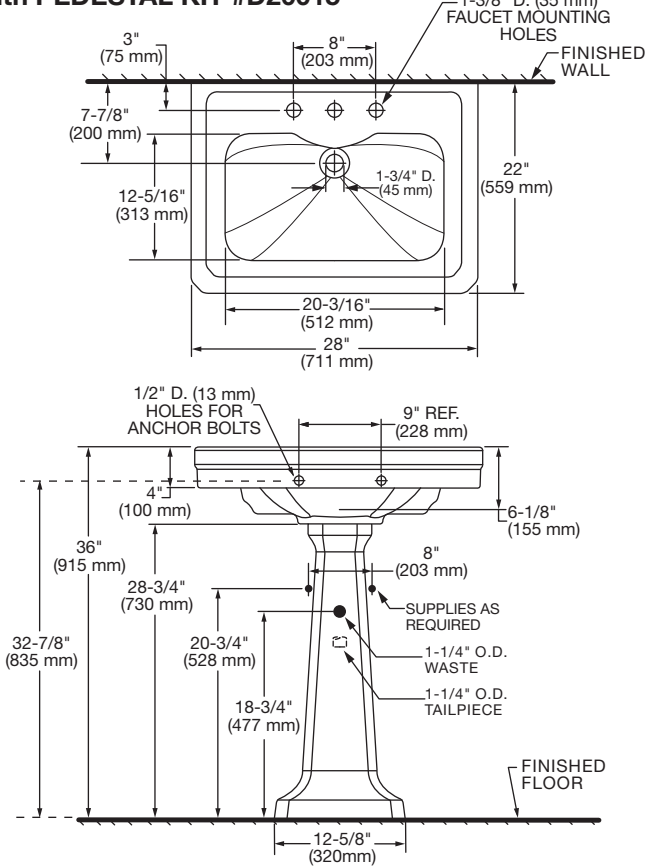
REPLACEMENT USE

When replacing an original unit, be certain to shut-off water supplies before removing the unit or disconnecting water supply lines and drain fittings. Original supply lines and shut-off valves should be replaced and used with fittings and adapters to match the hookups on the replacement unit.

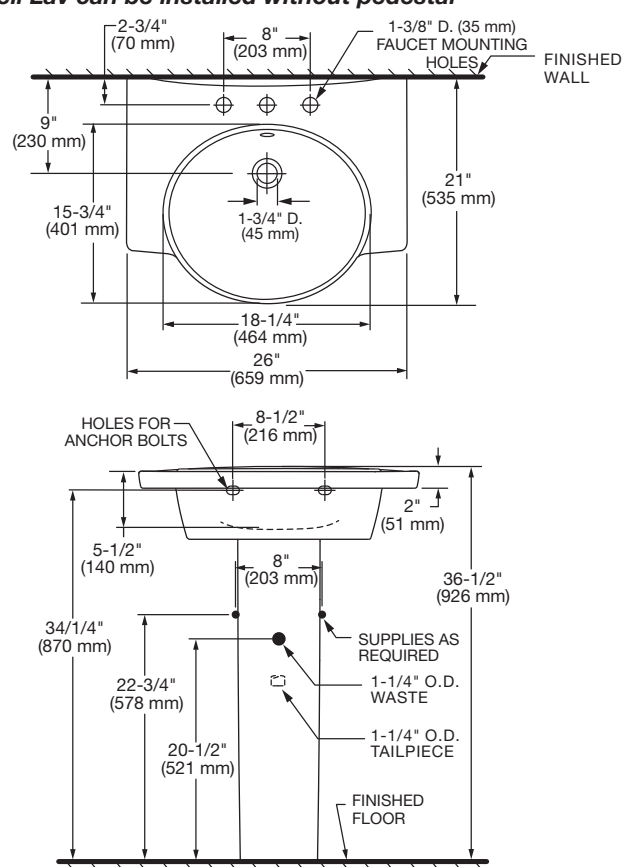
⚠ USE TEFLON SEALANT TAPE ON PIPE THREADS FOR WATERTIGHT CONNECTIONS!

SAVE FOR FUTURE USE

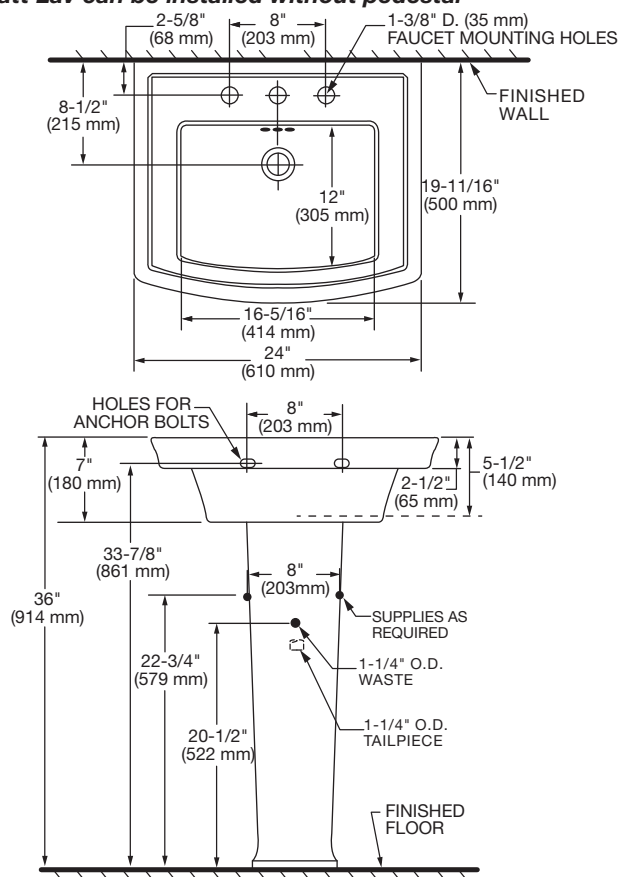
**FITZGERALD 28"
with PEDESTAL KIT #D20015**



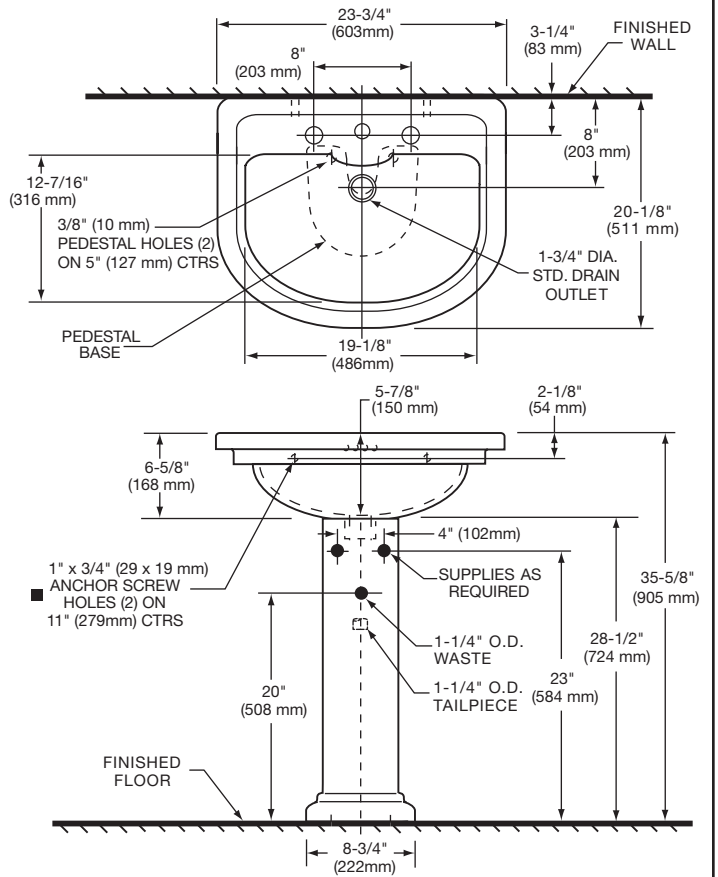
**LOWELL with PEDESTAL KIT #D20070
Lowell Lav can be installed without pedestal**



**WYATT with PEDESTAL KIT #D20010
Wyatt Lav can be installed without pedestal**



ST. GEORGE with PEDESTAL KIT #D20005



1 INSTALLATION PROCEDURES

Typical installation includes wall preparation, installation of faucet and pop-up drain, supplies to house water system.

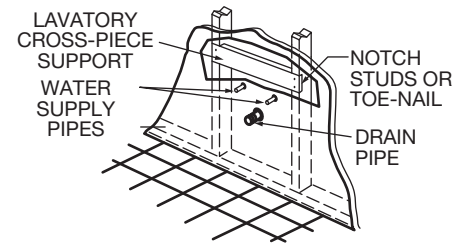
Lavatory Mounting Provisions - Whether the lavatory is used for replacement or new installation, the wall area behind the lavatory basin mounting holes must be reinforced to provide secure mounting for the new unit.

Preparing Wall for Lavatory Mounting

Optional: For non-masonry installation, crosspieces must be installed to reinforce the lavatory mounting surface to provide adequate support, install as described below.

1. Remove wallboard/covering from designated area.
2. Toenail 2" x 6" (51 x 152 mm) cross piece between studs (or notch studs to accept a 1" x 6" (25 x 152 mm) crosspiece, and attach securely). Determine horizontal center line location of support from fixture.
3. Replace wallboard/finished wall media.

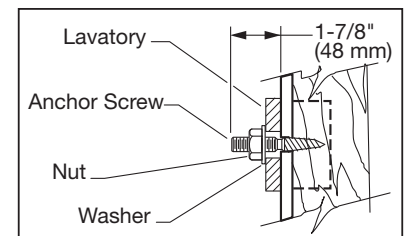
INSTALLING CROSS-PIECE:



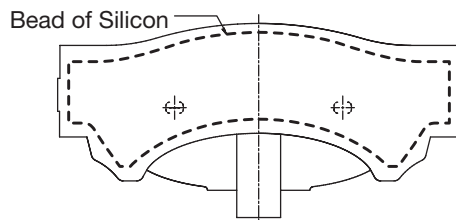
2 INSTALLING LAVATORY

CAUTION: Lavatories are extremely heavy. For personal safety, always use extra person for installation.

1. Using level, draw a vertical line starting at the waste water return hole. Draw a horizontal line at the required dimension from floor. Check the dimension placing the lavatory and legs into position. Mark and drill holes through the mounting holes along the horizontal line. Install lavatory anchor screws leaving 1-7/8" threaded end exposed as illustrated.

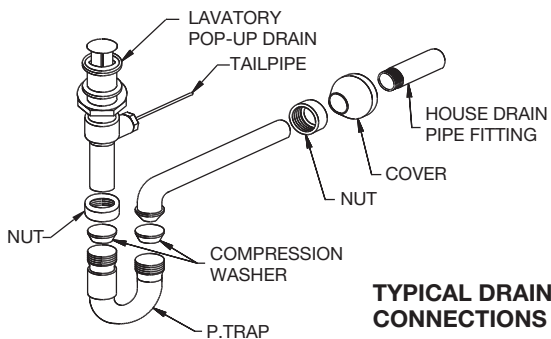


2. Apply a bead of silicon to the back of the lavatory. See Diagram.



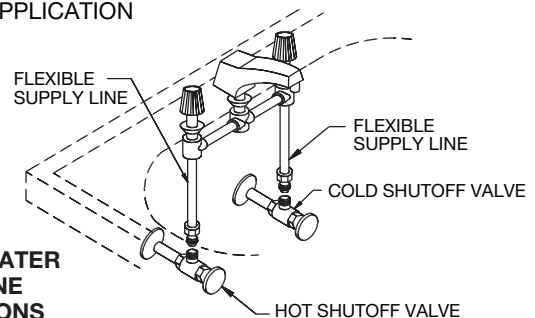
Geometry shown is for illustration only and may not match product geometry.

3. Pre-assemble P-trap drain connections in accordance with manufacturer's instructions. Check that pop-up drain opens and closes properly when drain control is operated. Connect supply lines to shutoff valves and loosely install drain connections.



TYPICAL DRAIN CONNECTIONS

SPREAD LAVATORY SET TYPICAL APPLICATION



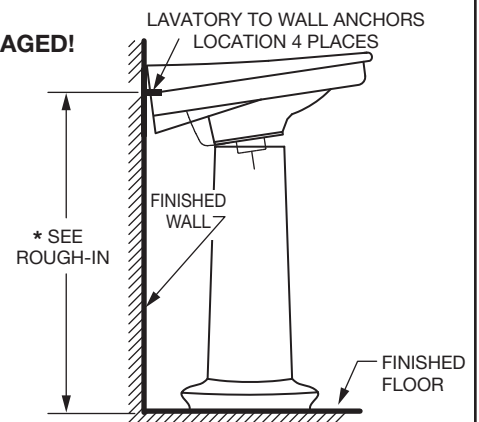
TYPICAL WATER SUPPLY LINE CONNECTIONS

4. Loosely attach the lavatory to the wall at the anchor locations. Optionally, place the cushioned adhesive-backed or similar product on the top and bottom of the pedestal to avoid ceramic damage, floor damage and clattering between pedestal and lavatory, and to level lavatory slab to pedestal.

DO NOT OVER-TIGHTEN MOUNTING HARDWARE OR LAVATORY MAY BE DAMAGED!

Lavatories Installation Note: Do not tighten nuts at this time, in order to allow the lavatory to swing up enough to permit the insertion of the legs. Insert the legs under the lavatory. Ensure that the lavatory sits evenly against legs. Level lavatory side to side and front to rear, (place a sheet of tissue under level to protect lavatory), then securely tighten mounting nuts. See Diagram.

5. Install faucet and drain in accordance with manufacturer's instructions. Tighten drain and water supply connections. Turn on water supply valves and water-test installation.



PARTS

PART NUMBER	PART
7301531-100.007A	Pedestal/ Lavatory Mounting Kit

In the United States:

DXV
One Centennial Avenue
Piscataway, New Jersey 08855
Attention: Director of Customer Care

For residents of the United States, warranty information may also be obtained by calling the following toll free number: (800) 227-2734
www.DXV.com

In Canada:

DXV
5900 Avebury Road
Mississauga, Ontario
L5R 3M3
Canada

Toll Free: 1-800-387-0369
Local: 905-306-1093
Fax: 1-800-395-1498
www.DXV.ca

In Mexico:

DXV
Via Morelos 330
Col. Santa Clara Coatitla
Ecatepec, Estado de México 55540

Toll Free: 01-800-8391200
www.DXV.mx